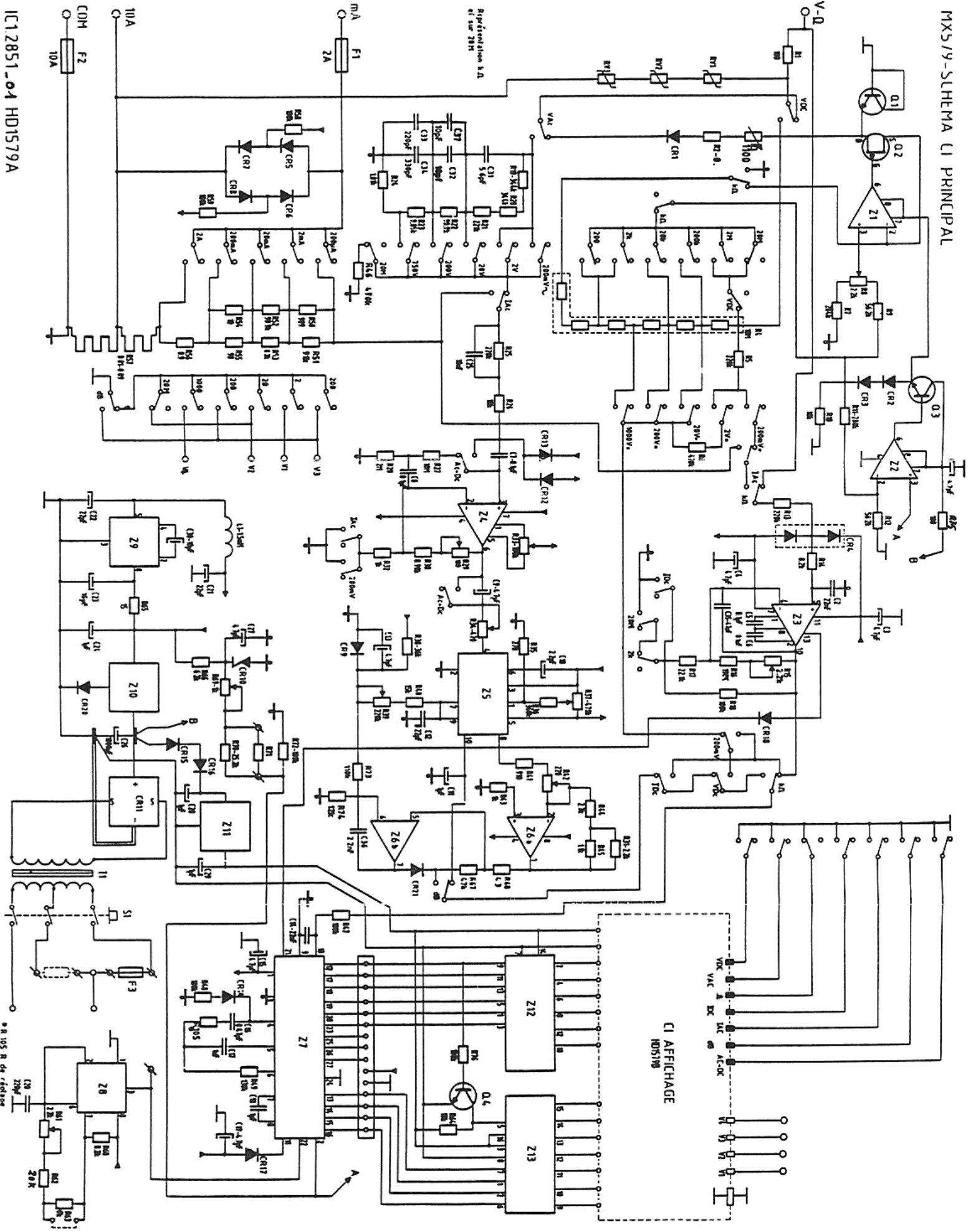
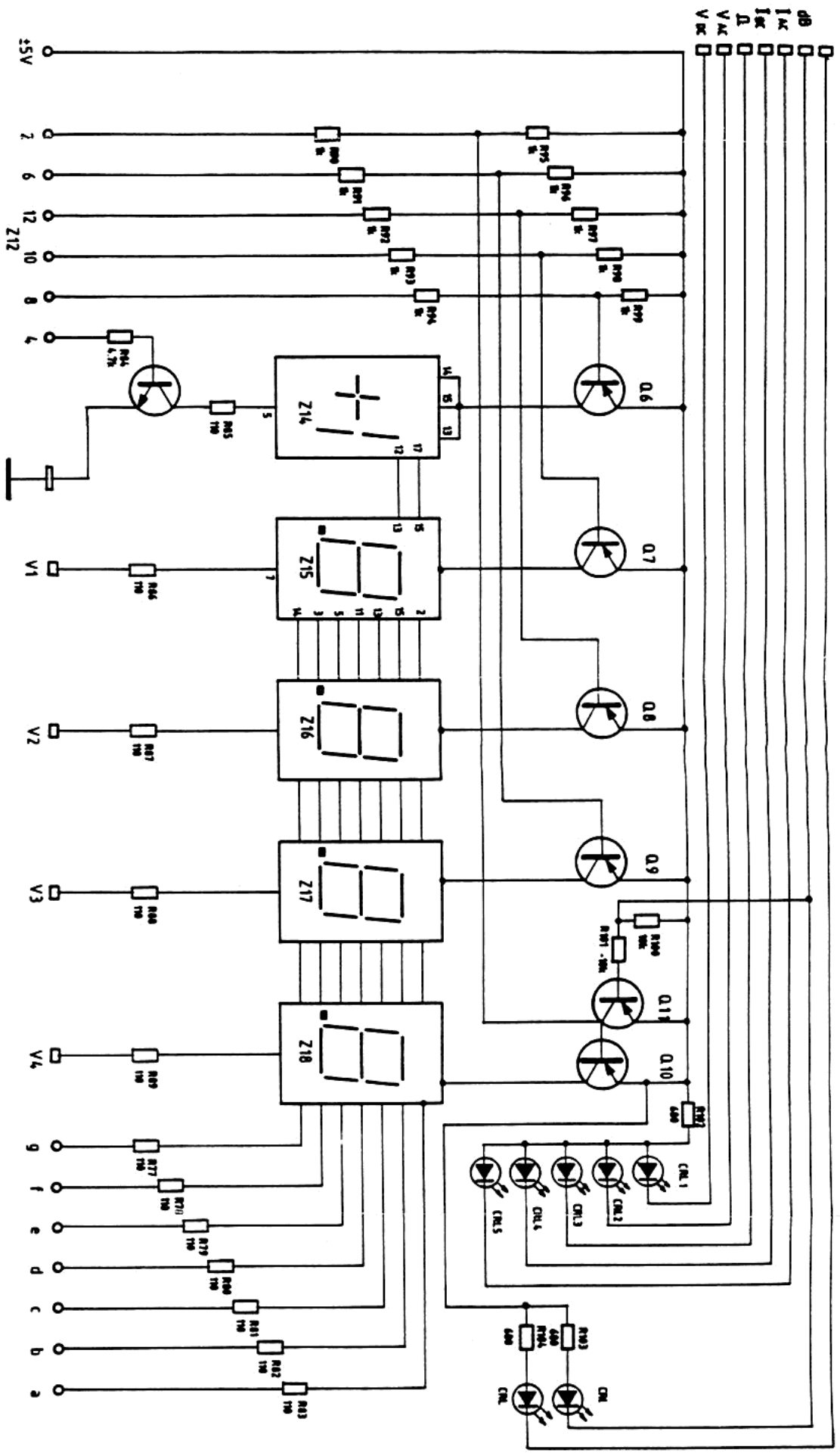


MX5/9-SCHEMA CI PRINCIPAL



NX579 SCHEMA CI AFRICHEUR



LISTES DE PIECES ELECTRIQUES
CI PRINCIPAL HD 1579 A

C101	4,7 μ F	-10 +50%	35V	CACI	CR102	1N4148	DO35	
C102	22nF	\pm 20%	63V	MKS2/5	CR103	1N4148	DO35	
C103	4,7 μ F	10 50%	35V	CACI	CR104	D PAD 10	DO71	
C104	4,7 μ F	\pm 20%	35V	Tantale	CR105	BY 253	DO27	
C105	0,1 μ F	\pm 20%	63V	MKS2/5	CR106	BY 253	DO27	
C106	0,1 μ F	\pm 20%	63V	MKS2/5	CR107	BY 253	DO27	
C107	0,1 μ F	\pm 20%	63V	MKS2/5	CR108	BY 253	DO27	
C108	0,1 μ F	\pm 20%	63V	MKS2/5	CR109	LM 385 1V235	TO92	50ppm TO52
C109	4,7 μ F	10 50%	35V	CACI	CR110	ICL 8069 CCQ	1V33	
C110	2,2 μ F	\pm 20%	35V	Tantale	CR111	110 B2 Pont redresseur		
C111	1 μ F	\pm 20%	35V	Tantale	CR112	J PAD 50	TO106	
C112	0,22 μ F	\pm 20%	63V	MKS2/5	CR113	J PAD 50	TO106	
C113	4,7 μ F	10 50%	35V	CACI	CR114	1N4148	DO35	
C114	22nF	\pm 20%	63V	MKS2/5	CR115	1N4004	DO41	
C115	4,7 μ F	10 50%	35V	CACI	CR116	1N4004	DO41	
C116	0,47 μ F	\pm 10%	160V	PP78A	CR117	1N4148	DO35	
C117	1 μ F	\pm 20%	50V	MKS2/5	CR118	1N4148	DO35	
C118	1 μ F	\pm 20%	50V	MKS2/5	CR119			
C119	4,7 μ F	10 50%	35V	CACI	CR120	1N4148	DO35	
C120	220pF	\pm 2%	63V	N750 Ceram.	CR121	1N4148	DO35	
C121	22 μ F	10 50%	16V	CACI	F101	Fusible 2A	AA2501	
C122	22 μ F	10 50%	16V	CACI	F102	Fusible 10A	AT0043	
C123	10 μ F	\pm 20%	35V	Tantale	F103	Fusible	AA2315	
C124	1 μ F	10 50%	35V	CACI	Q101	2N2222 ANPN	TO18	
C125	10nF	\pm 20%	630V	BR7	Q102	J270 FP	TO92	
C126	1000 μ F	25V	Chim. V		Q103	BC 237 BNPN	TO92	
C127	4,7 μ F	10 50%	35V	CACI	Q104	BC 237 BNPN	TO92	
C128	1 μ F	10 50%	35V	CACI	L101	1,5 mH	BF270P	
C129	1 μ F	10 50%	35V	CACI	R101	100 Ω	5%	1W 63B GEKO
C130	10 μ F	\pm 20%	35V	Tantale	R102	0		
C131	5,6 pF	\pm 0,25%	1000V	QAU 606 LCC	R103	1100 Ω CTP	420V	Q63100 P390 C883
C132	22pF	\pm 2%	100V	Ceram.	R104	Réseau 10 M Ω	CE0013	
C133	220pF	\pm 2%	100V	Ceram.	R105	220K Ω 2%	1W	MBE414
C134	330pF	\pm 2%	100V	Ceram.	R106	voir CI commutation		
CR101	1N4005	1A	600V	DO41	R107	284K Ω 0,1%	1/4W	RN55
					R108	2,2K Ω 20%	Lin.	VA05H
					R109	56,2 K Ω 0,1%	1/4W 25ppm	RN55E
					R110	10K Ω 2%	1/4W	RC2T

R111	280k Ω	0,1%	RN55						
R112	56,2 k Ω	0,1%	1/4W 25ppm RN55E						
R113	220k Ω	2%	1W MBE414						
R114	8,2 k Ω	2%	RC2T						
R115	2,2 k Ω	20%	Lin. VA05H						
R116	198k Ω	0,1%	1/4W 25ppm RN55E						
R117	22,1 k Ω	0,1%	1/4W 25ppm RN55E						
R118	100k Ω	2%	RC2T						
R119	344k Ω	0,1%	1/2W						
R120	344k Ω	0,1%	1/2W						
R121	221k Ω	0,1%	RN55						
R122	90,9 k Ω	0,1%	1/4W 25ppm RN55E						
R123	9,09 k Ω	0,1%	1/4W 25ppm RN55E						
R124	1,01k Ω	0,1%	1/4W 25ppm RN55E						
R125	220k Ω	2%	1W MBE414						
R126	18k Ω	5%	1/4W RC2T						
R127	10M Ω	10%	1/4W						
R128	2M Ω	5%	1/4W						
R129	100 Ω	20%	Lin. VA05H						
R130	8,98k Ω	0,1%	1/4W RN55						
R131	CTN 2200 Ω		10% RN55E						
R132	1k Ω	0,1%	1/4W RN55E						
R133	100k Ω	20%	Lin. VA05H						
R134	470 Ω	20%	Lin. VA05H						
R135	270 Ω	2%	1/4W RC2T						
R136	360k Ω	2%	1/4W RC2T						
R137	470k Ω	20%	Lin. VA05H						
R138	36k Ω	2%	1/4W RC2T						
R139	220k Ω	20%	Lin. VA05H						
R140	15k Ω	2%	1/4W RC2T						
R141	910 Ω	2%	1/4W RC2T						
R142	220 Ω	20%	Lin. VA05H						
R143	1k Ω	2%	1/4W RC2T						
R144	2,7 k Ω	2%	1/4W RC2T						
R145	1,1 k Ω	2%	1/4W RC2T						
R146	47 Ω	2%	1/4W RC2T						
R147	100k Ω	2%	1/4W RC2T						
R148	100k Ω	2%	1/4W RC2T						
R149	130k Ω	2%	1/4W RC2T						
R150	909 Ω	0,1%	RN55						
R151	91k Ω	2%	1/4W RC2T						
R152	90,9 Ω	0,1%	RN55						
R153	8,2 k Ω	2%	1/4W RC2T						
R154	10 Ω	0,1%	RN55						
R155	90 Ω	0,5%	1/2W						
R156	0,9 Ω	0,5%	2W						
R157	Shunt	2A / 10A							
R158	100k Ω	2%	1/4W RC2T						
R159	100k Ω	2%	1/4W RC2T						
R160	8,2 k Ω	2%	1/4W RC2T						
R161	2,2 k Ω	20%	Lin. VA05H						
R162	20k Ω	2%	1/4W RC2T						
R163	1k Ω	2%	1/4W RC2T						
R164	10k Ω	2%	1/4W RC2T						
R165	15 Ω	2%	1/4W RC2T						
R166	62k Ω	2%	1/4W RC2T						
R167	47k Ω	2%	1/4W RC2T						
R168	43 Ω	2%	1/4W RC2T						
R169	1k Ω	20%	Lin. VA05H						
R170	25,2k Ω	0,5%	1/8W						
R171	UF 18901								
R172	100k Ω	0,5%	1/8W						
R173	110k Ω	2%	1/4W RC2T						
R174	12k Ω	2%	1/4W RC2T						
R175	100 Ω	2%	1/4W RC2T						
R176	100k Ω	2%	1/4W RC2T						
RV101	GEMOV II V430 MA3A	430V 15%							
RV102	GEMOV II V430 MA3A	430V 15%							
RV103	GEMOV II V430 MA3A	430V 15%							
S101	Interrupteur tripolaire	M/A							KE1314
S102	Commutateur fonctions								KE1312
S103	Commutateur calibres								KE1313
T101	Transformateur alimentation								LA1546
Z101	ICL 7611 DCPA								DIL 8
Z102	ICL 7611 DCPA								DIL 8
Z103	ICL 7650 CPD								DIL 14

Z104	TL 071 CP	DIL 8
Z105	AD 536 AJM	Conv. RMS TO100
Z106	TL 062 CP	DIL 8
Z107	7135 CAN	DIL 28
Z108	ICM 7555	IPA
Z109	ICL 7660 CPA	DIL 8
Z110	78L05 ACP	5V
Z111	7805 5V/1A5	TO220
Z112	74LS04 DIL 14	
Z113	74LS47 DIL 16	

CI AFFICHEUR HD 1579 B

CRL101	CQW54	TO92	RC2T
CRL102	CQW54	TO92	RC2T
CRL103	CQW54	TO92	RC2T
CRL104	CQW54	TO92	RC2T
CRL105	CQW54	TO92	RC2T
CRL106	CQW54	TO92	RC2T
CRL107	CQW54	TO92	RC2T
Q105	BC 237 BPNP	TO92	RC2T
Q106	MPSA 55PNP	TO92	RC2T
Q107	MPSA 55PNP	TO92	RC2T
Q108	MPSA 55PNP	TO92	RC2T
Q109	MPSA 55PNP	TO92	RC2T
Q110	MPSA 55PNP	TO92	RC2T
Q111	BC 307 BPNP	TO92	RC2T
R177	110Ω 2%	1/4W	RC2T
R178	110Ω 2%	1/4W	RC2T
R179	110Ω 2%	1/4W	RC2T
R180	110Ω 2%	1/4W	RC2T
R181	110Ω 2%	1/4W	RC2T
R182	110Ω 2%	1/4W	RC2T
R180	110Ω 2%	1/4W	RC2T
R184	4,7 kΩ 2%	1/4W	RC2T
R185	110Ω 2%	1/4W	RC2T
R186	110Ω 2%	1/4W	RC2T
R187	110Ω 2%	1/4W	RC2T

R188	110Ω 2%	1/4W	RC2T
R189	110Ω 2%	1/4W	RC2T
R190	1kΩ 2%	1/4W	RC2T
R191	1kΩ 2%	1/4W	RC2T
R192	1kΩ 2%	1/4W	RC2T
R193	1kΩ 2%	1/4W	RC2T
R194	1kΩ 2%	1/4W	RC2T
R195	1kΩ 2%	1/4W	RC2T
R196	1kΩ 2%	1/4W	RC2T
R197	1kΩ 2%	1/4W	RC2T
R198	1kΩ 2%	1/4W	RC2T
R199	1kΩ 2%	1/4W	RC2T
R200	10kΩ 2%	1/4W	RC2T
R201	10kΩ 2%	1/4W	RC2T
R202	680Ω 2%	1/4W	RC2T
R203	680Ω 2%	1/4W	RC2T
R204	680Ω 2%	1/4W	RC2T
Z114	Afficheur HDSP 3906		
Z115	Afficheur HDSP 3900		
Z116	Afficheur HDSP 3900		
Z117	Afficheur HDSP 3900		
Z118	Afficheur HDSP 3900		

CI COMMUTATION HD 1578

R6	470kΩ 2%	1/4W	RC3T
----	----------	------	------