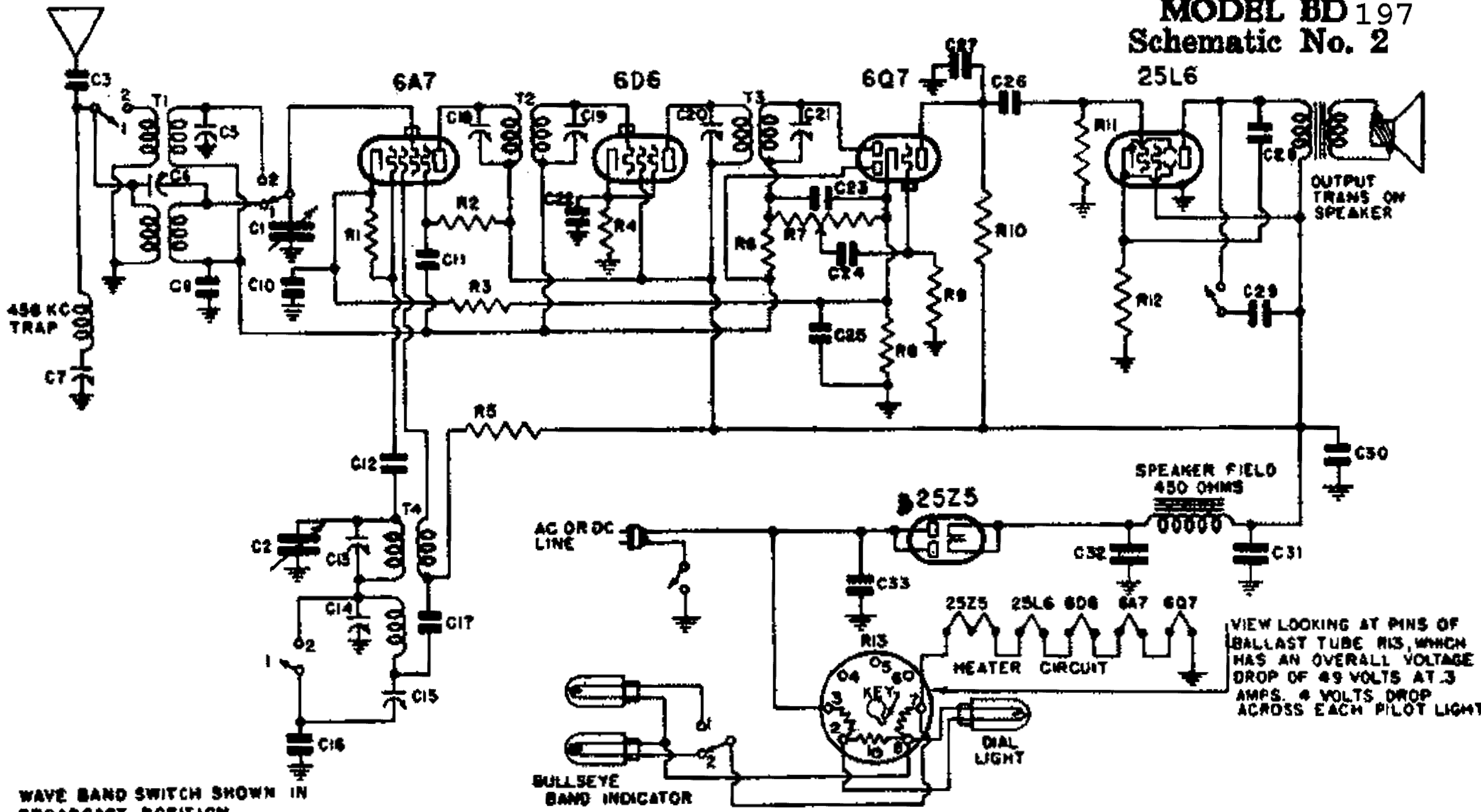


MODEL BD 197 Schematic No. 2



WAVE BAND SWITCH SHOWN IN
BROADCAST POSITION
POSITION NO1 BROADCAST
NO2 SHORT WAVE

SCHEMATIC DIAGRAM

1-F PEAKED AT 456 KC
6 TUBE AC DC RECEIVER

VIEW LOOKING AT PINS OF
BALLAST TUBE R13, WHICH
HAS AN OVERALL VOLTAGE
DROP OF 49 VOLTS AT .3
AMPS. 4 VOLTS DROP
ACROSS EACH PILOT LIGHT