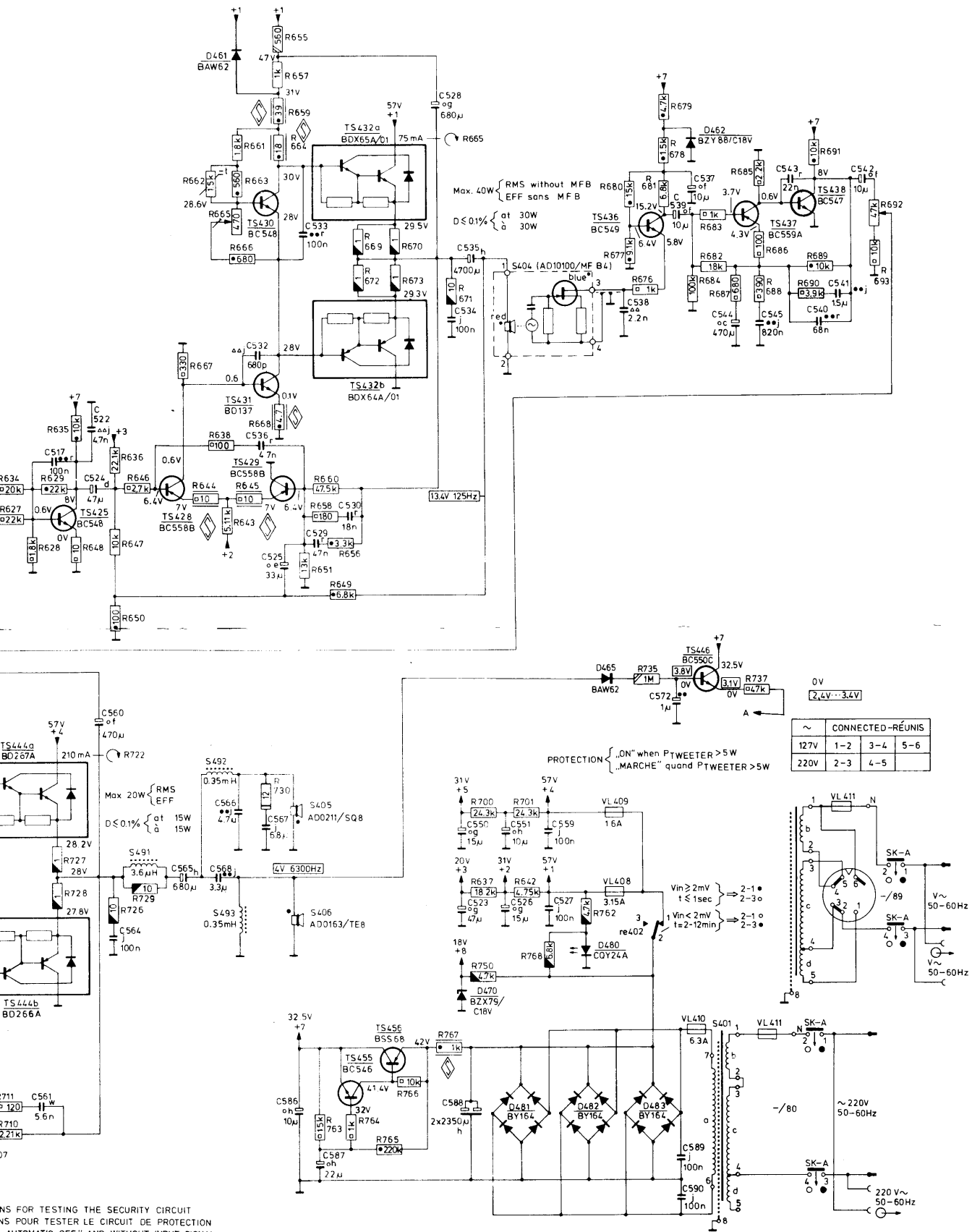


TS444	TS425	TS428	TS429-431	TS432a,b	S404	D484,485,TS436	TS445,446,D462	D468,469	TS437,438	MISC															
518	517	514	522	5491	5492,493	536	532	525	5405	406	TS455,456	D470	D481	D482,480	D483	VL408	-410	5401	VL411	MISC					
561	560	564	565	568	566	567	586	587	588	550	523	551	528	559	527	572,589	590	538,571	539	537	544	545	543	540-542	
627-629	635	648	647	646	636	650	667	655-666	669	670	672	673	671	731	732	733,676-681	734	682-688	689-693						
713	714				638	643	644	645	668	651	649		700	701	768	735	736								
707	711	710	727	728	726	729		730	763-766	767	637	750	647		762										



NS FOR TESTING THE SECURITY CIRCUIT
 NS POUR TESTER LE CIRCUIT DE PROTECTION
 "AUTOMATIC OFF" AND WITHOUT INPUT SIGNAL
 "ON," "AUTOMATIC OFF" ET SANS SIGNAL D'ENTRÉE

14072E2

Subject to Modifications

4822 725 15921