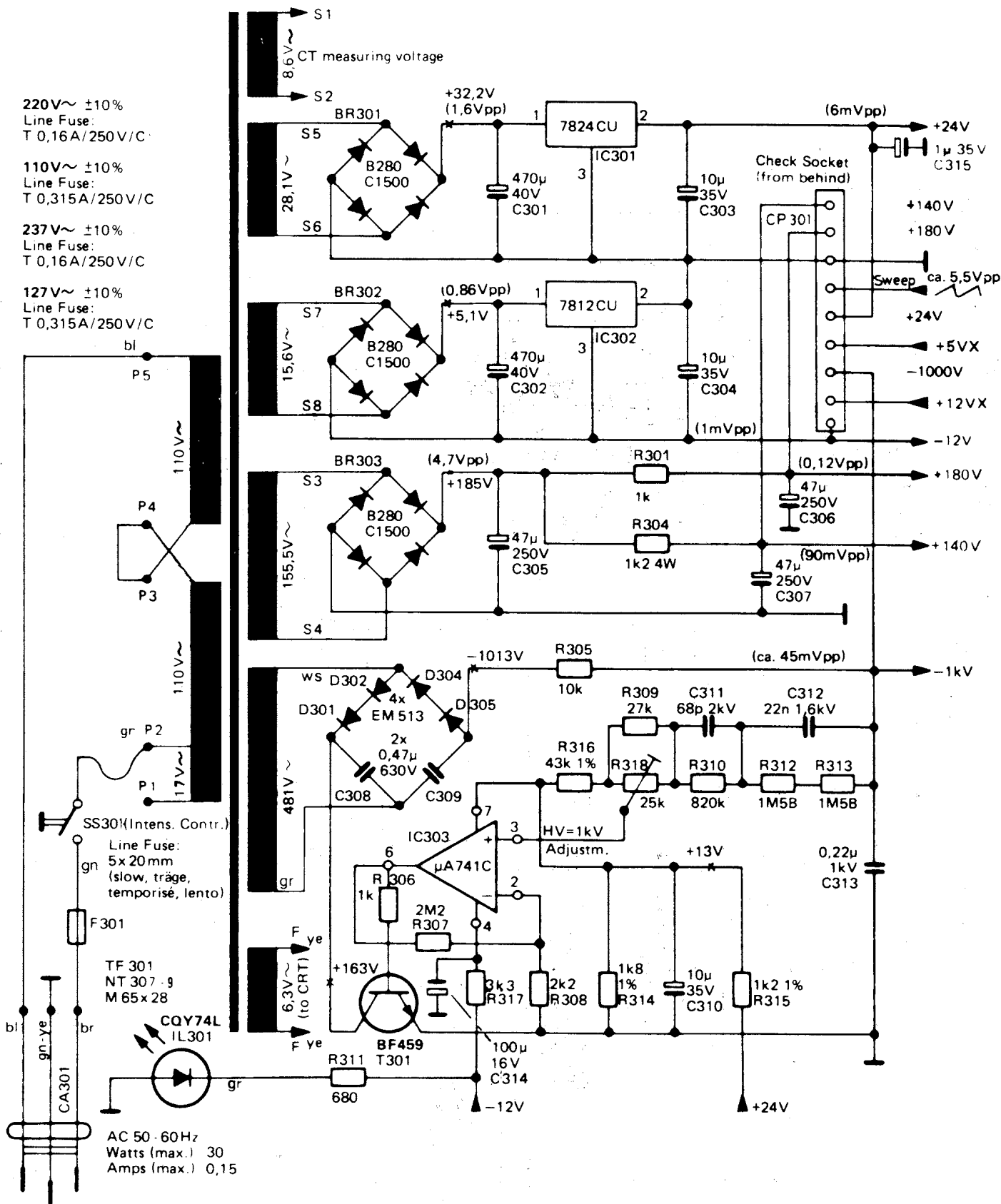


220V ~ ±10%  
Line Fuse:  
T 0,16A/250V/C

110V ~ ±10%  
Line Fuse:  
T 0,315A/250V/C

237V ~ ±10%  
Line Fuse:  
T 0,16A/250V/C

127V ~ ±10%  
Line Fuse:  
T 0,315A/250V/C



S15-6.79