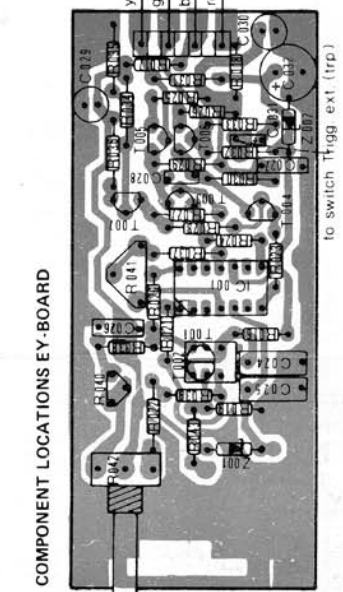
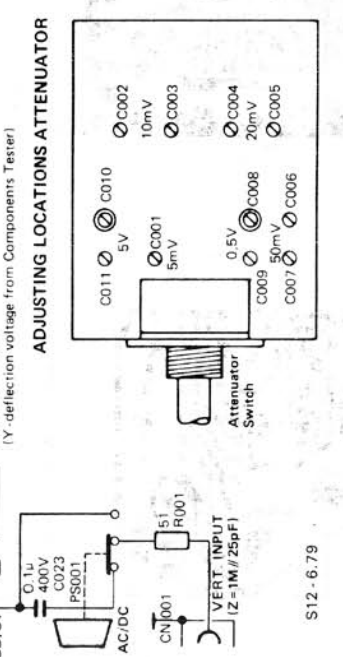


MAIN BOARD SEGMENT LOCATIONS
Y-Final Amplifier



COMPONENT LOCATIONS EY-BOARD



ADJUSTING LOCATIONS ATTENUATOR