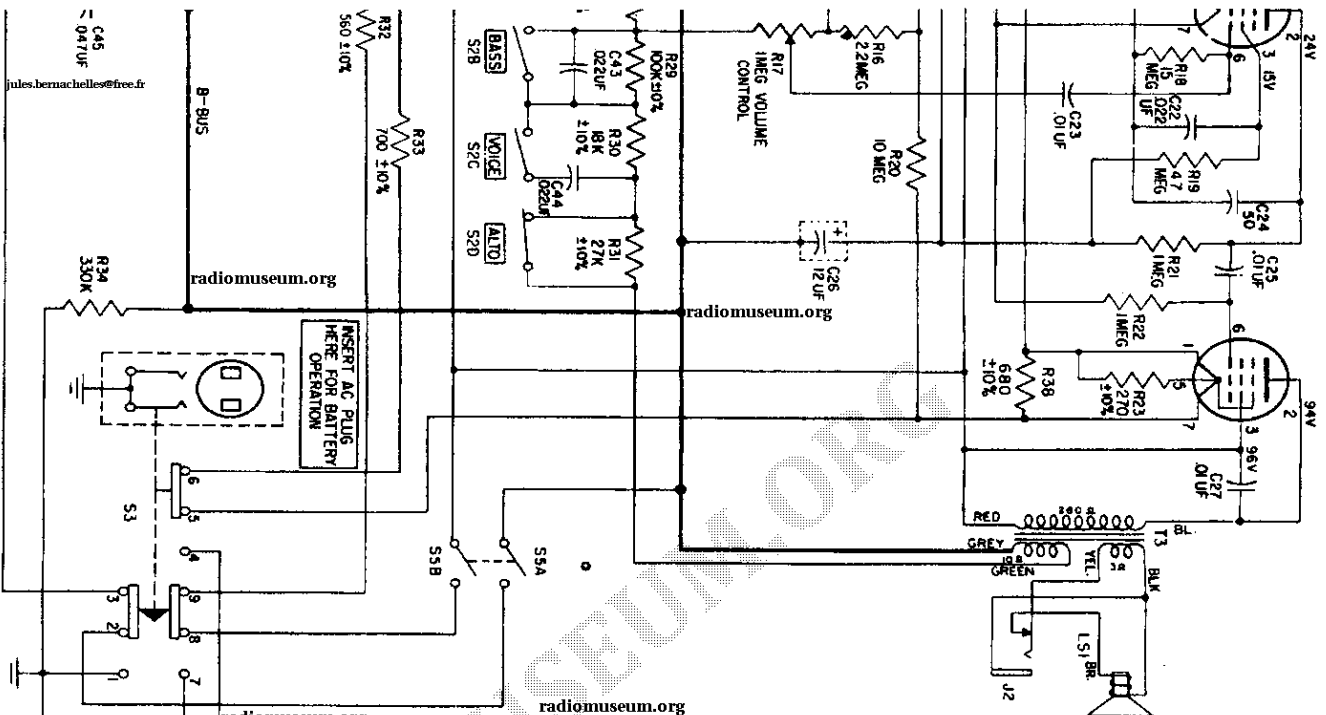


-AMPL

AUDIO OUTPUT

U5

3V4



- NOTES
- 1 RESISTOR VALUES IN OHMS, CAPACITY VALUES IN UUF UNLESS OTHERWISE SPECIFIED
  - 2 IF TRANSFORMER NUMBERING STARTS WITH #1 TERMINAL AS FIRST TERMINAL CLOCKWISE AND ADVANCE TO MARKER AS VIEWED FROM THE BOTTOM OF CHASSIS
  - 3 ALL SECTIONS OF BAND SELECTOR SWITCH S1 SHOWN IN NON-OPERATING POSITION; IN OPERATING POSITIONS SLIDING CONTACTS MOVE TO THE LEFT
  - 4 ALL TONE BUTTONS S2 SHOWN IN RIGHT POSITION AS VIEWED FROM THE FRONT OF CABINET
  - 5 S3 POWER CHANGEOVER SWITCH SHOWN IN POSITION FOR POWER LINE OPERATION
  - 6 POWER ADAPTER SWITCH S4 SHOWN IN 110VOLTS AC-DC POSITION
  - 7 ALL VOLTAGES MEASURED FROM COMMON RETURN TO POINTS INDICATED WITH A DC VACUUM TUBE VOLTMETER AND SET OPERATING ON 117V A.C.

TUNING RANGES

540	1600 KC
4MC	8 MC
2MC	4 MC
174	18.2 MC
148	15.6 MC
115	12.1 MC
94	9.9 MC

IF FREQUENCY 455 KC  
BATTERY PACK NO 2-985

