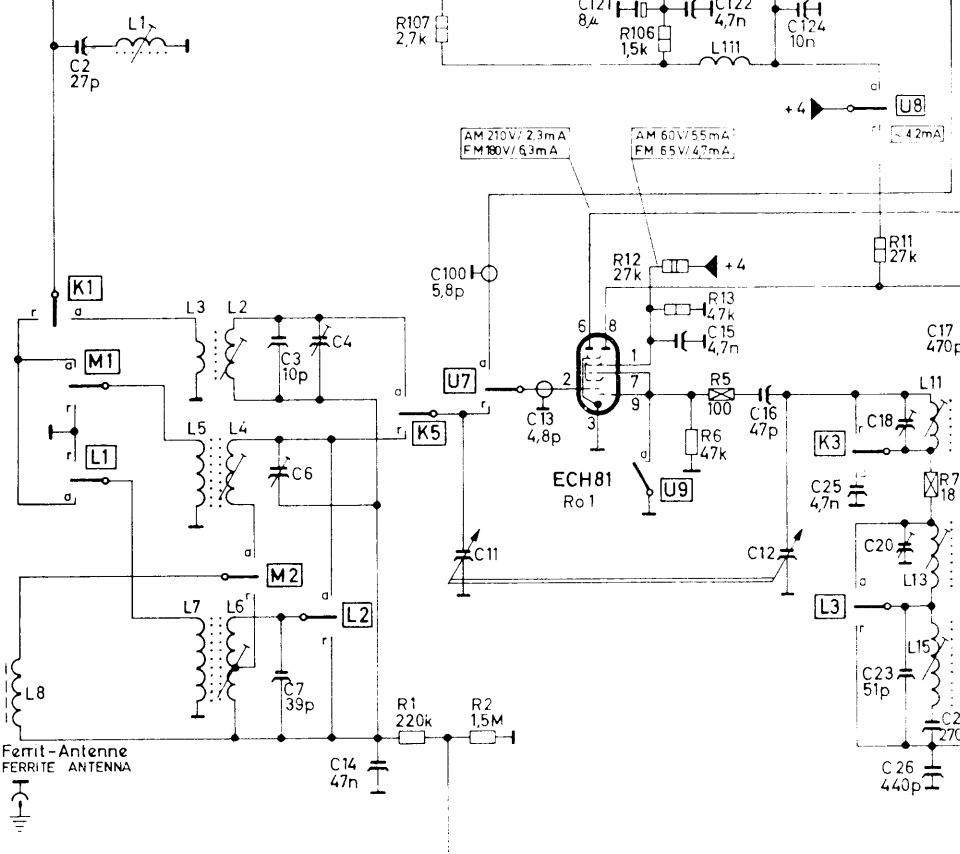
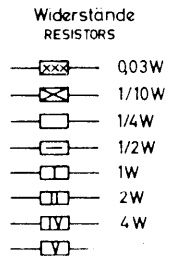
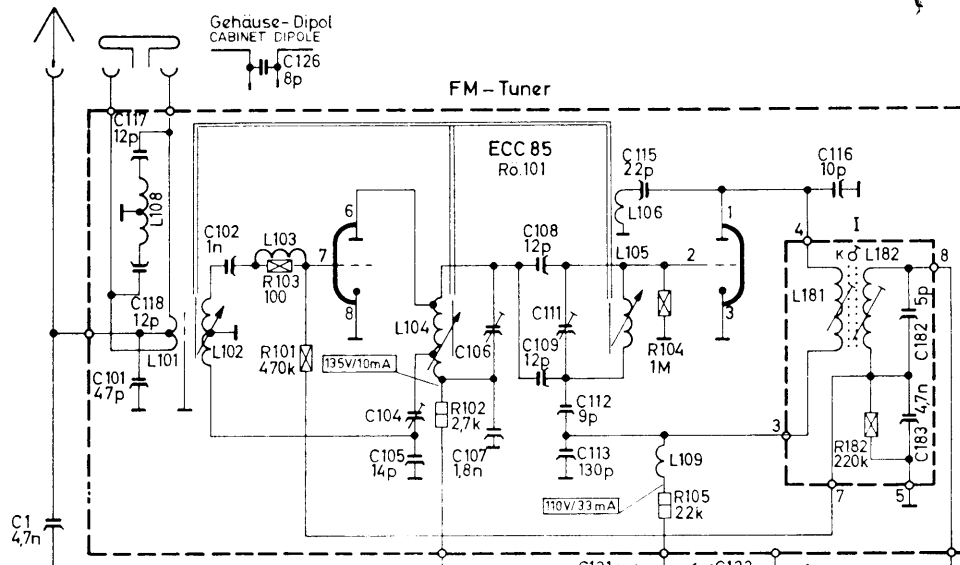


ZF / IF: AM 460kHz FM 6,75MHz
 Gleichspannungsmessung mit Voltmeter Ri
 D.C. VOLTAGE TEST WITH VOLTMETER Ri $\geq 20k \Omega/V$



Ferrit-Antenne
FERRITE ANTENNA

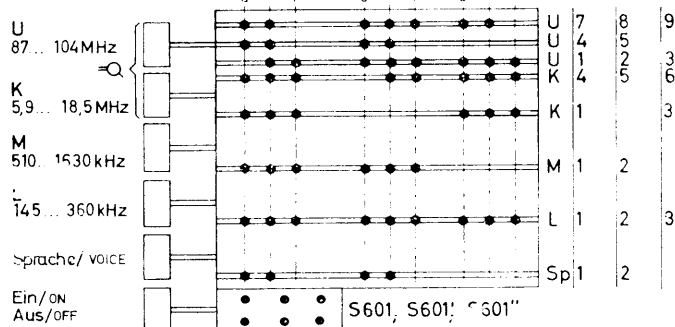
AM 210V/2,3mA
FM 180V/6,3mA

AM 60V/5,5mA
FM 6,5V/4,7mA

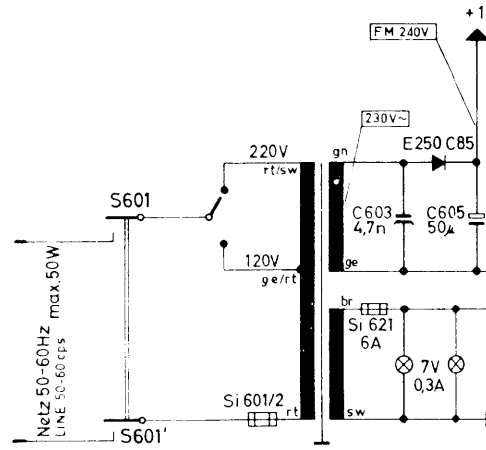
AM 195V/9,6mA
FM 180V/9,4mA

EBF 89
Ro.301

Druckstastenaggregat
KEY ASSEMBLY

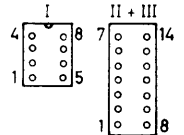


a = Arbeitskontakt / OPERATING CONTACT
r = Ruhkontakt / RESTING CONTACT

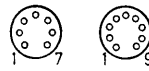


Sicherung / FUSE
601 = T0,4A 220V
602 = T0,7A 120V

MHz
Voltmeter Ri \approx 20k Ω / V
EP Ri \approx 20k Ω / V



Filter-Anschlüsse
(von unten)
IF-TRANSF. CONNECTIONS
(from below)



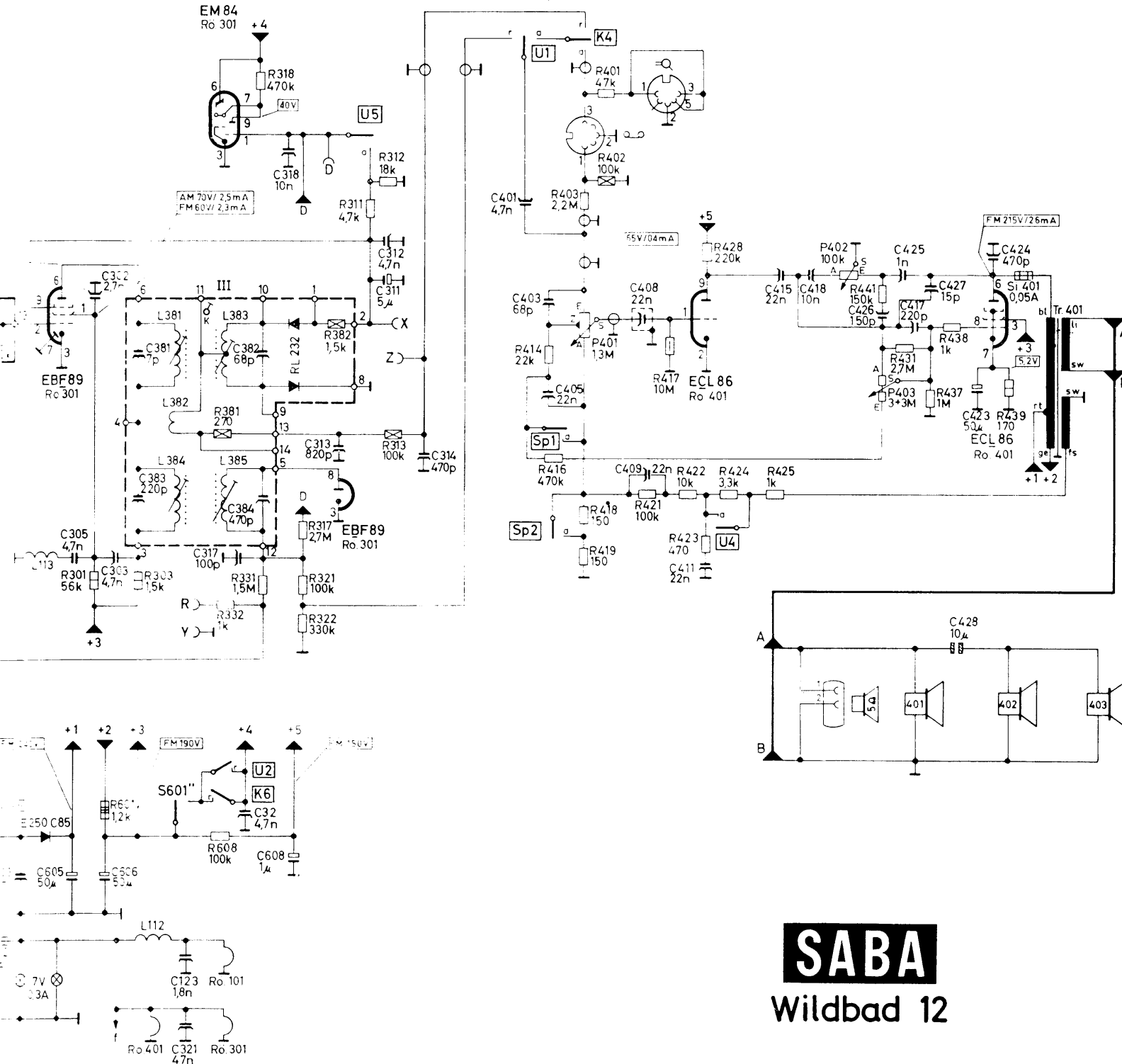
Röhren-Fassungen
(von unten)
TUBE SOCKETS
(from below)



Meß-Buchse
(von oben)
TEST SOCKET
(from above)

Kondensatoren
CAPACITORS

- 1p = 1MMF
- 1n = 0,001MF
- 1 μ = 1MF



SABA
Wildbad 12