

NOTES:

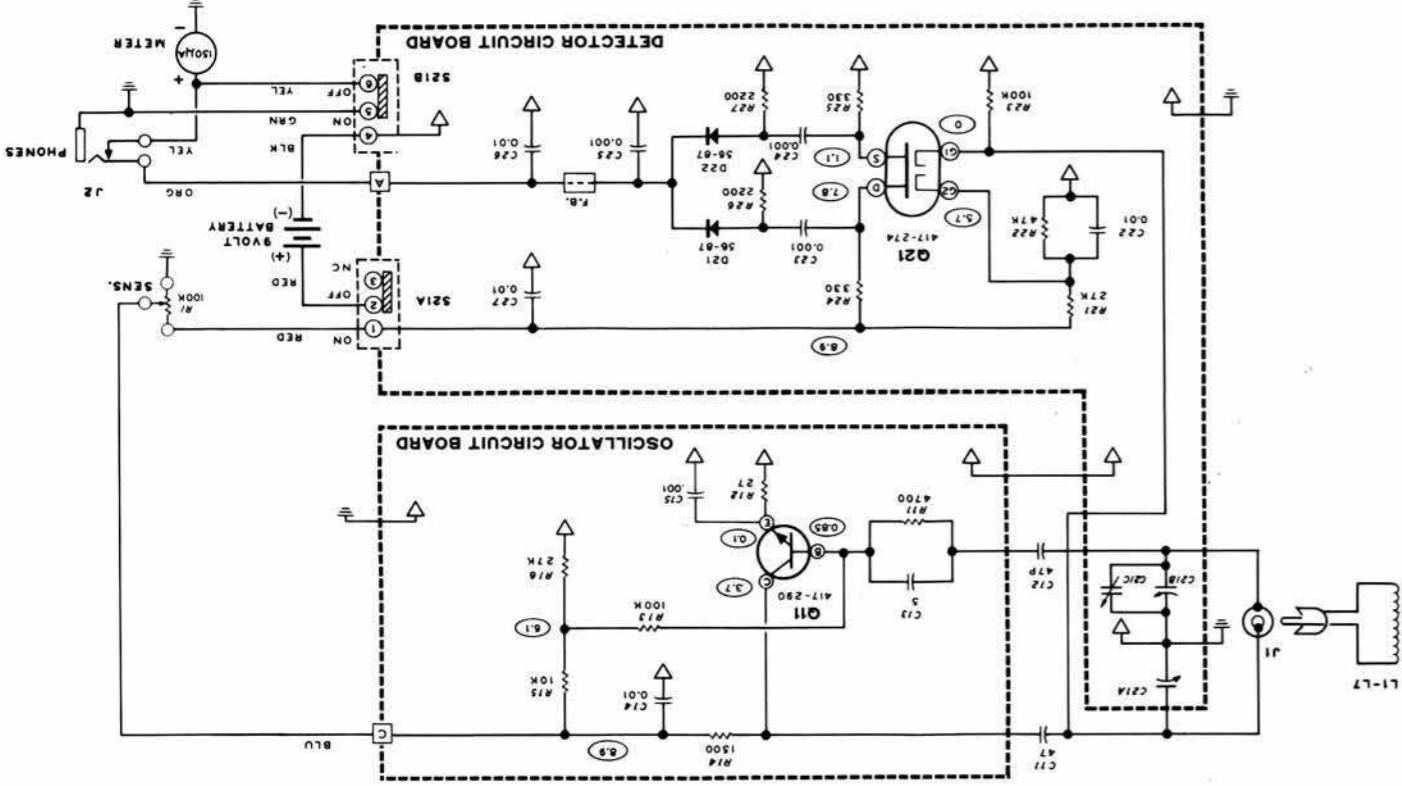
1. ALL RESISTORS ARE 1/4-WATT, 5% TOLERANCE UNLESS OTHERWISE NOTED. VALUES ARE IN OHMS (K-1000), CAPACITORS LESS THAN 1 ARE IN μ F; GREATER THAN 1 ARE IN pF.
2. THIS SYMBOL INDICATES A CHASSIS GROUND.
3. THIS SYMBOL INDICATES AN EXTERNAL CONNECTION TO THE CIRCUIT BOARD.
4. THIS SYMBOL INDICATES A POSITIVE DC VOLTAGE, TAKEN WITH A HIGH INPUT IMPEDANCE VOLTMETER FROM THE POINT INDICATED TO GROUND, WITH NO COIL IN THE OSCILLATOR CIRCUIT.

PARTS ARE GROUPED AS FOLLOWS

- 1-9 MOUNTED ON CHASSIS
- 11-19 MOUNTED ON OSCILLATOR CIRCUIT BOARD
- 21-29 MOUNTED ON DETECTOR CIRCUIT BOARD

RANGE	PART NO.	COLOR
L1	40-1689	RED
L2	40-1690	ORANGE
L3	40-1691	YELLOW
L4	40-1692	GREEN
L5	40-1693	BLUE
L6	40-1694	VIOLET
L7	40-1695	BROWN
L100-250MHZ		
48-100MHZ		
25-51MHZ		
12.5-26MHZ		
6.3-13MHZ		
3.2-6.6MHZ		
1.6-3.4MHZ		

← 62 turns # 33 wire



SCHEMATIC OF THE
HEATHKIT®
MODEL HD-1250
SOLID-STATE DIP METER