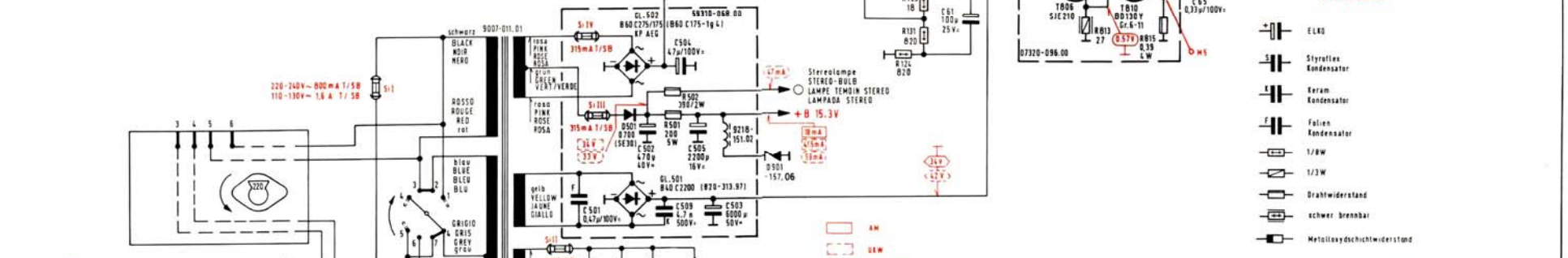
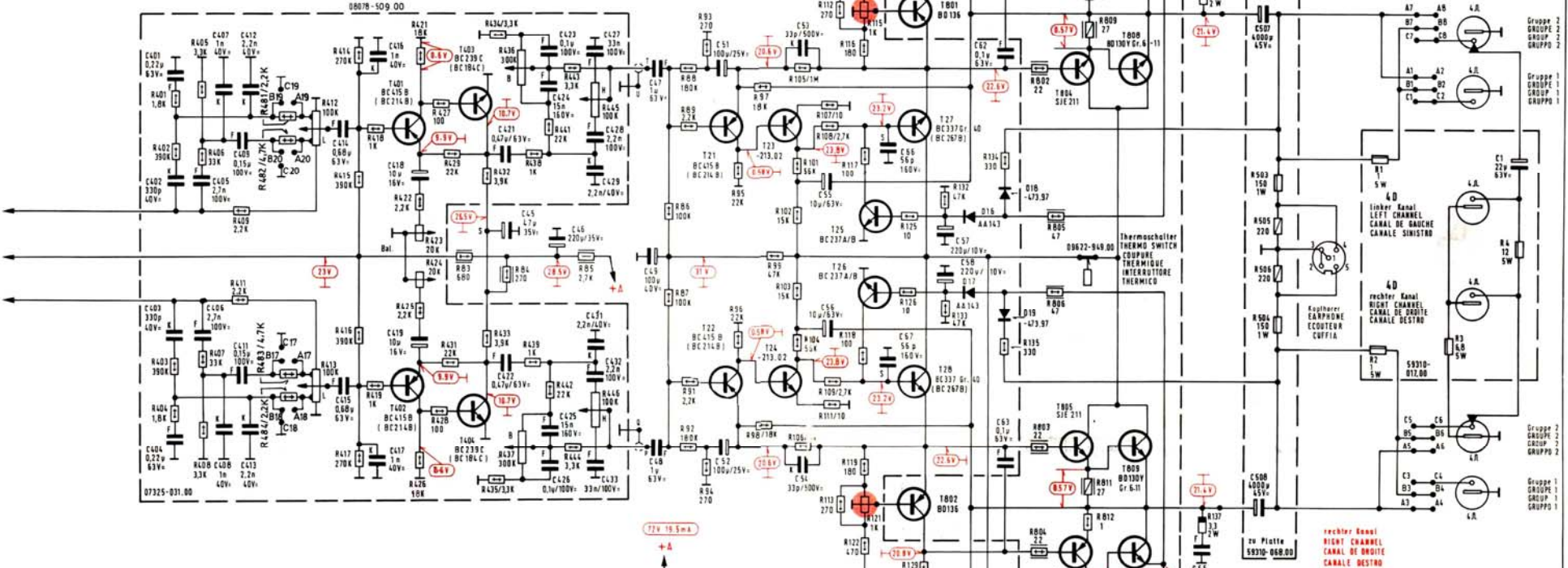


R412, R413 7811-336, 97 Lautstärke / VOLUME / PUISSANCE
 R423, R424 7811-343, 97 Balance
 R445, R446 7811-344, 97 Höhen / TREBLE / AIGUES / ACUTI
 R436, R437 7811-345, 97 Bassen / BASS / GRAVES / BASSI



12WV, MA mit R115 nicht (MS, R121) (Umfülltemper. 20-25°C)
 ADJUST 12WV, MA, WITH R115 (MS, R121) (COLLING SURFACE TEMP. 20-25°C)
 REGLER 12WV, MA, AVEC R115 (MS, R121) (TEMP. DE LA SURFACE
 DE REFROIDISSEMENT: 20-25°C)
 TARARE CON R115 PER 12WV, MA (LITIS MS) (TEMP. BELLE
 ALLETTE DI RAFFREDDAMENTO 20-25°C)

linker Kanal
LEFT CHANNEL
CANAL DE GAUCHE
CANALE SINISTRO

linker Kanal
LEFT CHANNEL
CANAL DE GAUCHE
CANALE SINISTRO

rechter Kanal
RIGHT CHANNEL
CANAL DE DROITE
CANALE DESTRO

rechter Kanal
RIGHT CHANNEL
CANAL DE DROITE
CANALE DESTRO

- E-LKO
- Styrolen
Kondensator
- Keramik
Kondensator
- Folien
Kondensator
- 1/8W
- 1/3W
- Drahtwiderstand
- schwer brennbar
- Metallisierdichtungswiderstand



RTV 901
(8078-906.02)

401, 403, 405, 407, 409, 412, 402, 404, 406, 408, 411, 413,	414, 416, 418, 415, 417, 419,	421, 423, 425, 44, 427, 428, 432, 424B, 49, 422, 424, 426, 501, 428, 431, 433, 502, 503, 504, 505, 52,	501, 51, 53, 55, 54, 56,	56, 57, 58, 52, 67, 58, 51, 63,	54, 507, 508,
401, 403, 405, 407, 409, 412, 402, 404, 406, 408, 411, 413,	414, 416, 418, 415, 417, 419,	421, 423, 425, 44, 427, 428, 432, 424B, 49, 422, 424, 426, 501, 428, 431, 433, 435, 437, 439, 442, 444, 446,	501, 51, 53, 55, 54, 56, 102, 104, 106, 108, 111, 112, 115, 117, 119, 122, 124, 126, 128, 131, 133, 135,	801, 803, 805, 807, 809, 812, 804, 802, 804, 806, 808, 811, 813, 815,	136, 503, 505, 137, 504, 506,
					1, 2, 3, 4,