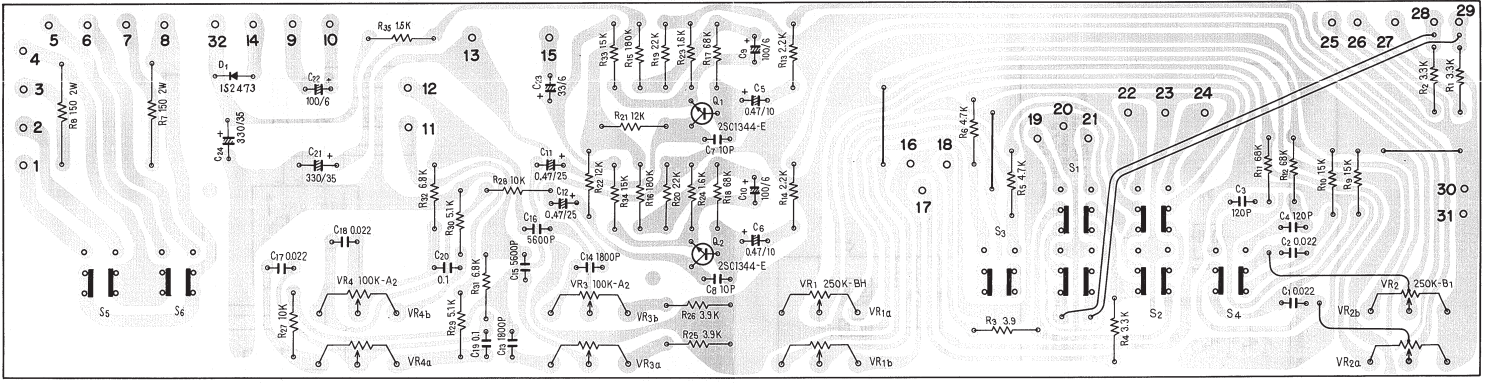
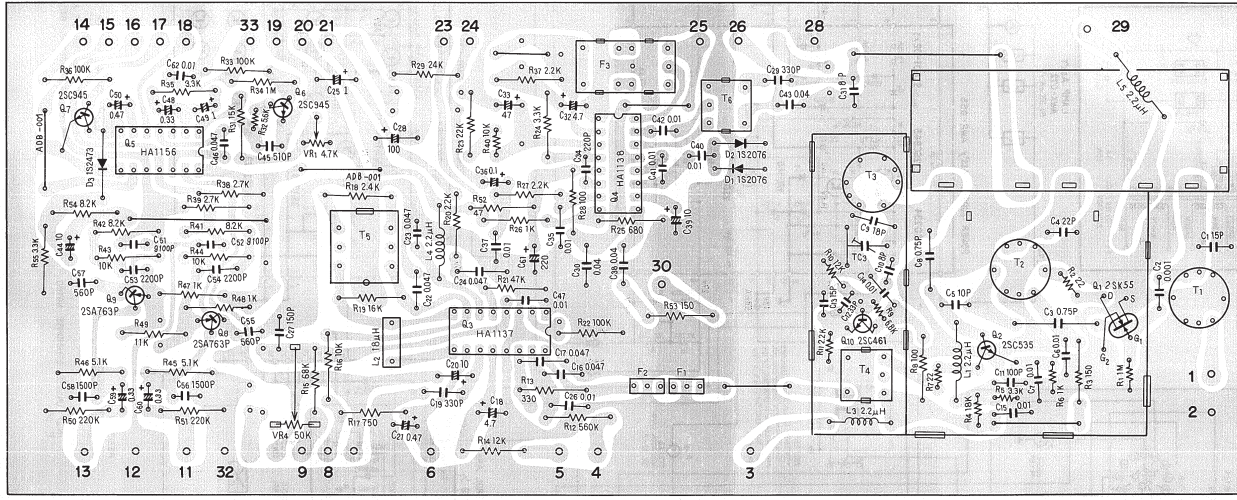


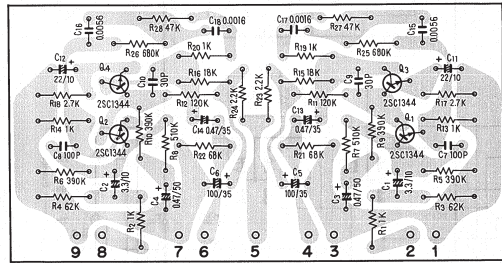
Switch and control ass'y AWM-068



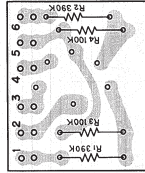
Tuner ass'y AWE-046



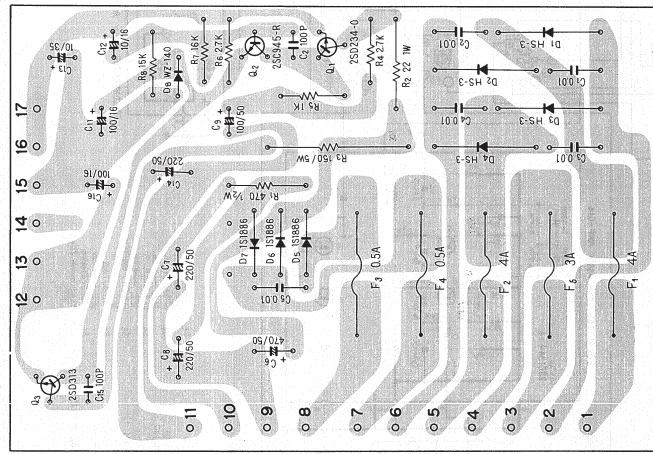
Equalizer amp ass'y AWF-014



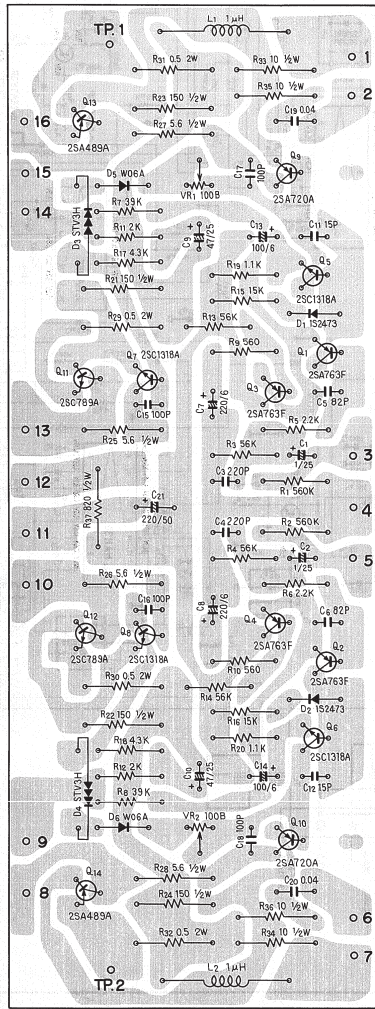
5P connector ass'y AWX-062



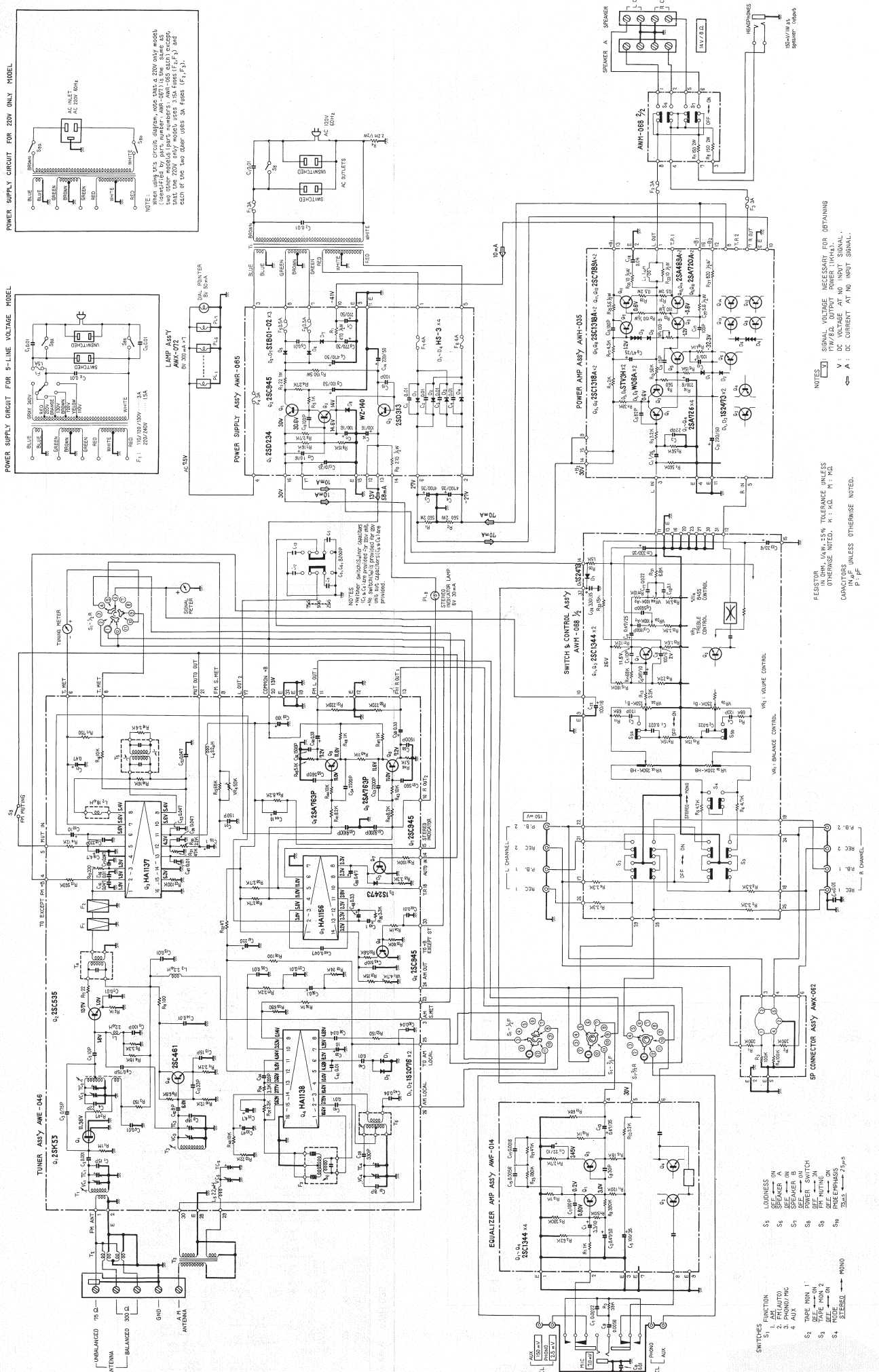
Power supply ass'y AWR-085



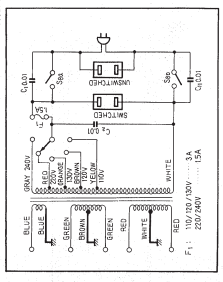
Power amp ass'y AWH-035



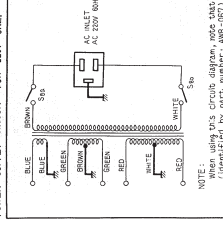
AM/FM STEREO RECEIVER
SX-535
FV GN KCU



POWER SUPPLY CIRCUIT FOR 5-LINE VOLTAGE MODEL



POWER SUPPLY CIRCUIT FOR 220V ONLY MODEL



NOTE: When using this circuit diagram, note that a 220V only model (identified by part number AMR-087) is the same as the 220V only model shown here. The 220V only model uses 3.5A fuses (F1, F2) and each of the two other uses 3A fuses (F1, F2).

NOTES:
 SIGNAL VOLTAGE NECESSARY FOR OBTAINING PW/PA OUTPUT POWER (IMP+).
 V : DC VOLTAGE AT NO INPUT SIGNAL.
 A : DC CURRENT AT NO INPUT SIGNAL.

RESISTOR TOLERANCE UNLESS OTHERWISE NOTED, R 1% M 1% M2
 CAPACITORS UNLESS OTHERWISE NOTED, P 10%
 P: pF

- SWITCHES
- S1: FUNCTION
 - S2: PH (AUTO)
 - S3: PHONO/PH
 - S4: AUX
 - S5: TAPE NON 1
 - S6: TAPE NON 2
 - S7: PH MUTING
 - S8: PH MUTING
 - S9: MUTE
 - S10: STEREO
- FUNCTIONS
- S1: LOUDNESS
 - S2: SPEAKER ON
 - S3: SEE PAGE 10
 - S4: SEE PAGE 10
 - S5: POWER SWITCH
 - S6: SEE PAGE 10
 - S7: SEE PAGE 10
 - S8: SEE PAGE 10
 - S9: SEE PAGE 10
 - S10: MONO