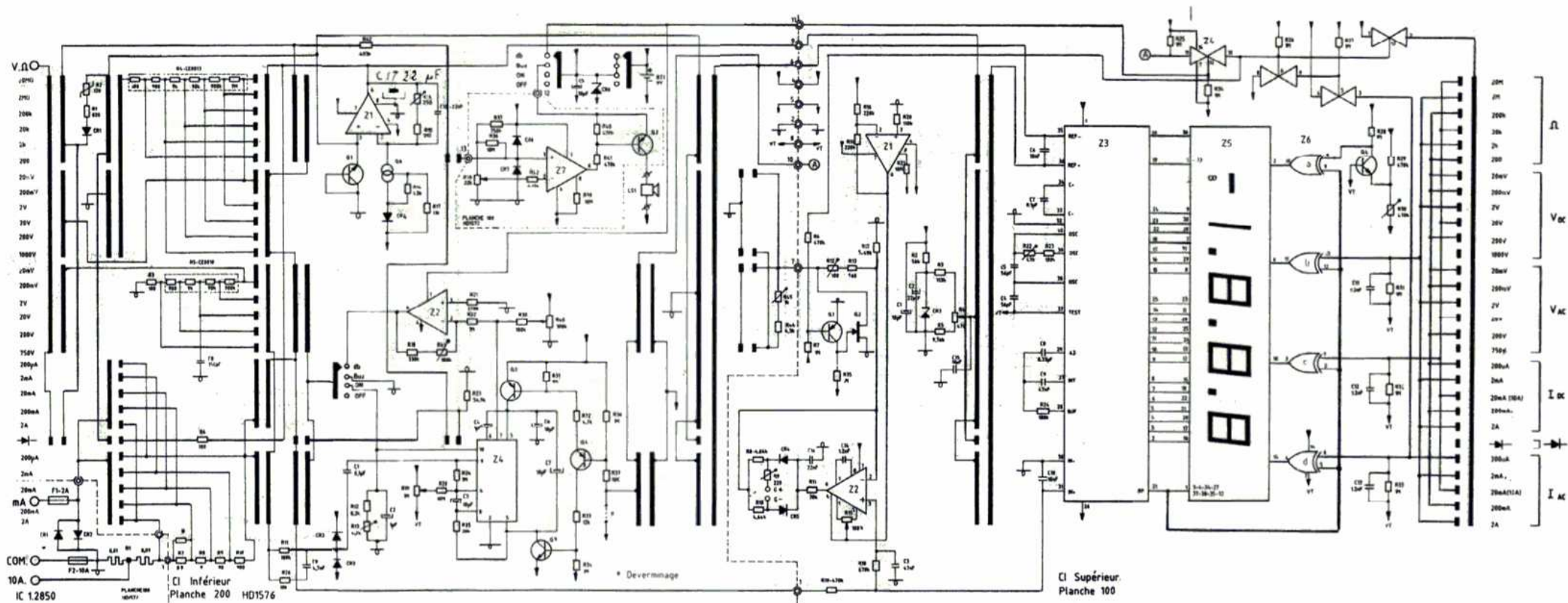


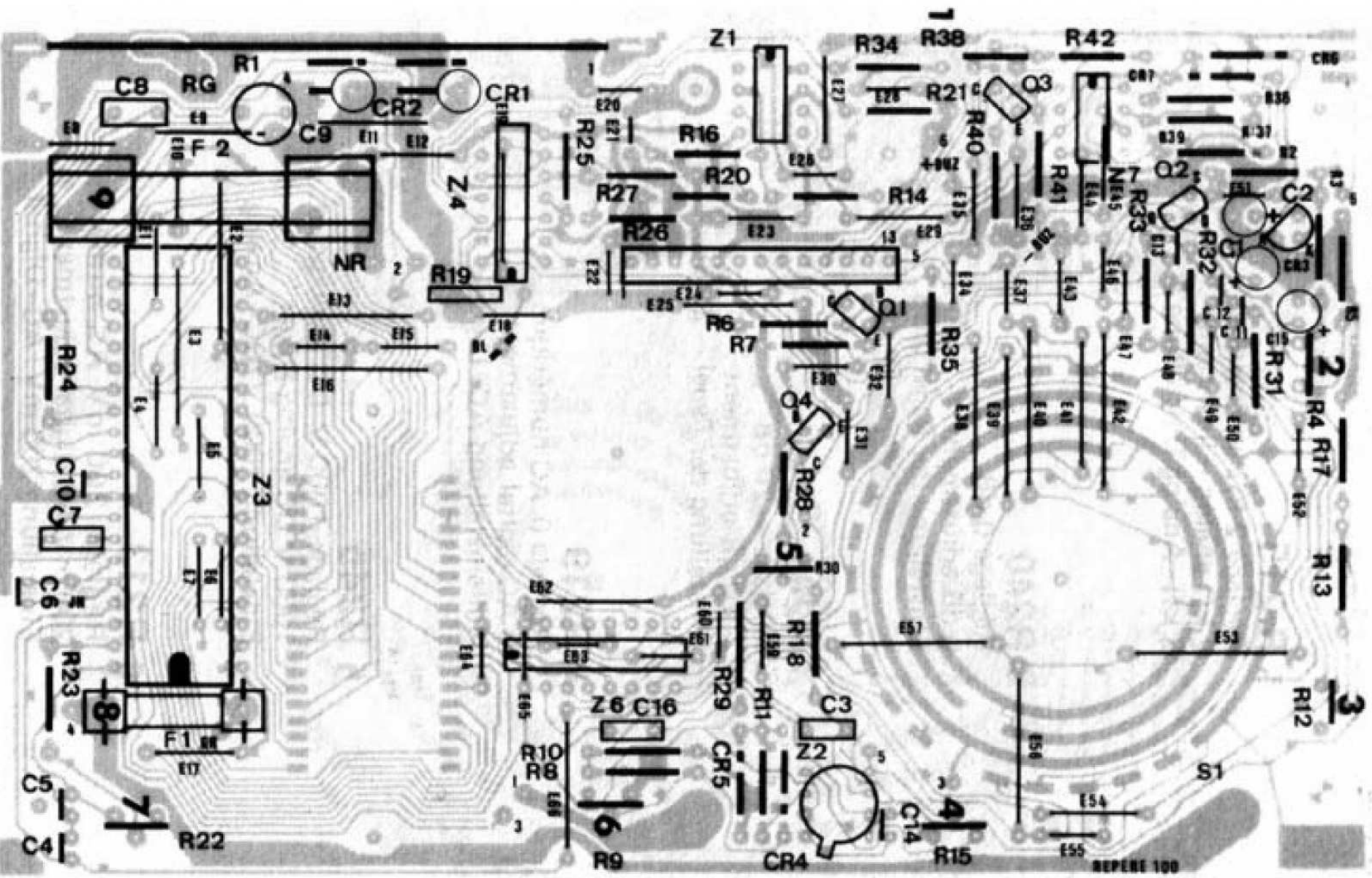
METRIX MX 573

MX 573 - METRIX

Schéma complet



MX 573 CI principal - Main PCB



MX 573

