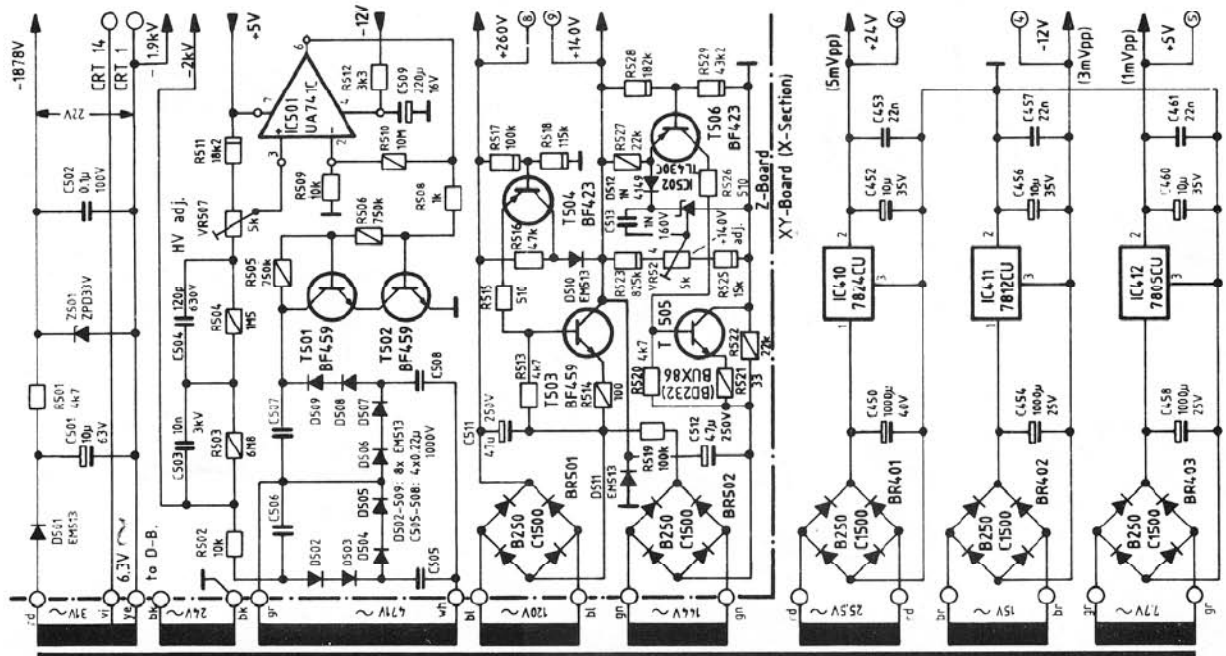


POWER SUPPLY (Z-Board, partial X-Section of XY-Board and Chassis)



Transformer Type
 412-08
 PM8x24x0.35
 TF 001

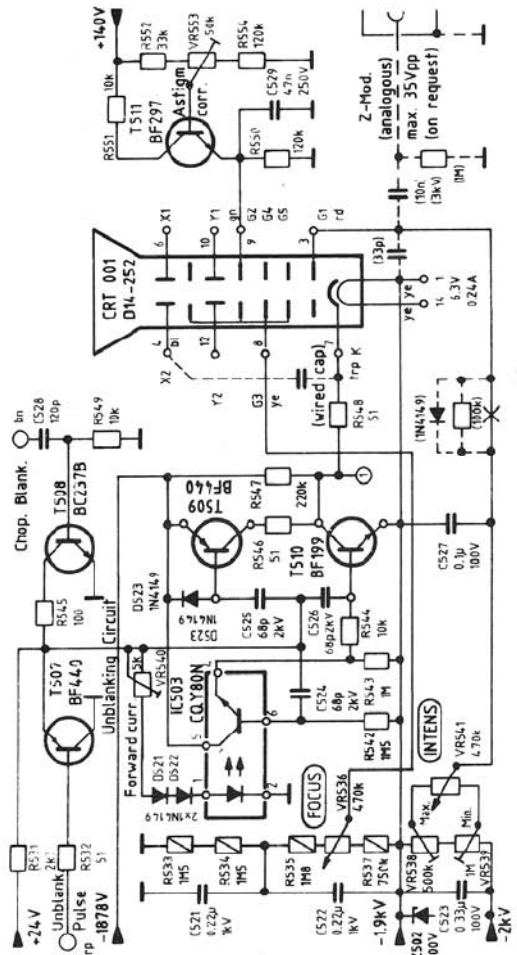
Safety Class 1
 (With Safety Earth Conductor)

AC 50...60 Hz

POWER FUSE LINKS
 Type: IEC 127-III
 DIN 41662
 SEV 1064
 BS 4265

5x20mm, time lag
 10 V } T 0.63A
 15 V } T 0.63A
 20 V } T 0.315A
 2.0 V } T 0.315A
 WATTS (max.): 40
 at 220V 50Hz

CRT-CIRCUIT (Z-Board) HM 412-5



COMPONENT LOCATIONS Z-BOARD HM 412-5

