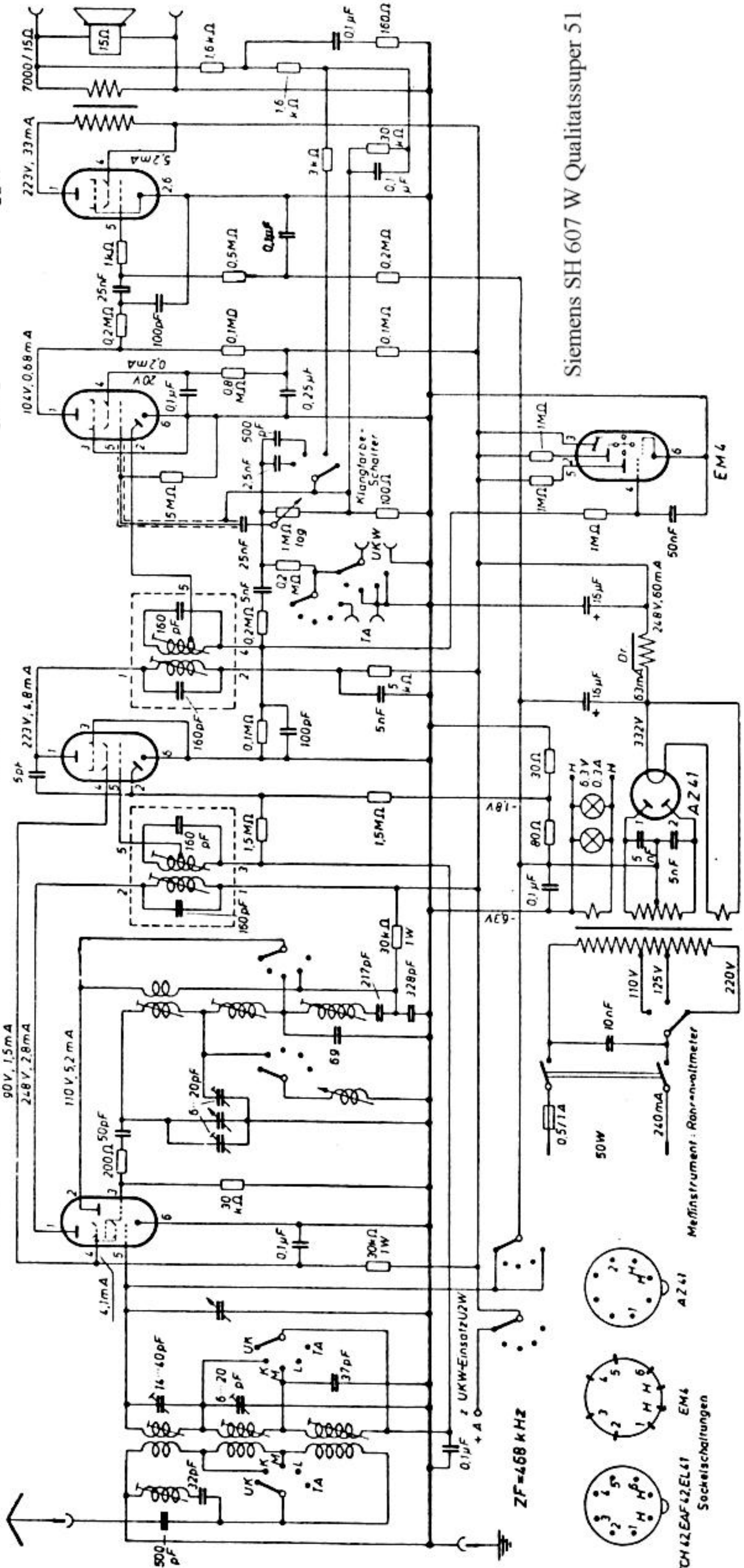


ECH42

EAF42

EAF42

EL41



Siemens SH 607 W Qualitassuper 51

ECH42, EAF42, EL41
Sockelschaltungen



Messinstrument: Röhrenvoltmeter

ZF = 468 kHz

0,1 μF z UKW-Einsatz U2W

-63V

-18V

AZ41

EM4

EM4

EM4

EM4

EM4

EM4