

# MC1311P

## FM STEREO DEMODULATOR

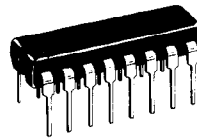
### Product Preview

#### FM STEREO DEMODULATOR

- A monolithic device designed for use in solid-state stereo receivers.
- Unity Gain
- Requires no Inductors
- Low External Part Count
- Emitter Follower Outputs
- Only Oscillator Frequency Adjustment Necessary
- Integral Stereo/Monaural Switch 100 mA Lamp Driving Capability
- Wide Dynamic Range: 0.5 - 2.8 V<sub>p-p</sub> Composite Input Signal
- Excellent Supply Range and Ripple Rejection
- Excellent Channel Separation Maintained Over Entire Audio Frequency Range
- Low Distortion: Typically 0.5% THD at 560 mV (RMS) Composite Input Signal
- Excellent SCA Rejection

#### FM STEREO DEMODULATOR

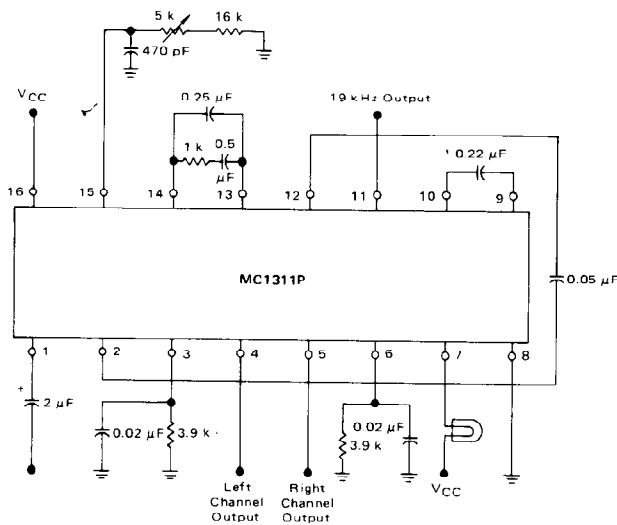
MONOLITHIC SILICON INTEGRATED CIRCUIT



PLASTIC PACKAGE  
CASE 648

FIGURE 1 - TYPICAL APPLICATION AND TEST CIRCUIT

- Pin Functions
- Pin 1 - Input
  - Pin 2 - Amplifier Output
  - Pin 3 - Left Channel Output
  - Pin 4 - Left Emitter Follower Output
  - Pin 5 - Right Emitter Follower Output
  - Pin 6 - Right Channel Output
  - Pin 7 - Lamp Indicator
  - Pin 8 - Ground
  - Pin 9 - Switch Filter
  - Pin 10 - Switch Filter
  - Pin 11 - 19 kHz Output
  - Pin 12 - Modulator Input
  - Pin 13 - Loop Filter
  - Pin 14 - Left Filter
  - Pin 15 - Oscillator H.C. Network
  - Pin 16 - V<sub>CC</sub>



See Packaging Information Section for outline dimensions.