

# STEREO DEMODULATOR

## MC1307P

### MONOLITHIC FM MULTIPLEX STEREO DEMODULATOR

... designed to derive the left and right channel audio information from the detected composite signal.

- Capable of Operation Over a Wide Power Supply Range – 8.0 – 14 Vdc
- Built-in Stereo-Indicator Lamp Driver

### FM MULTIPLEX STEREO DEMODULATOR SILICON MONOLITHIC INTEGRATED CIRCUIT

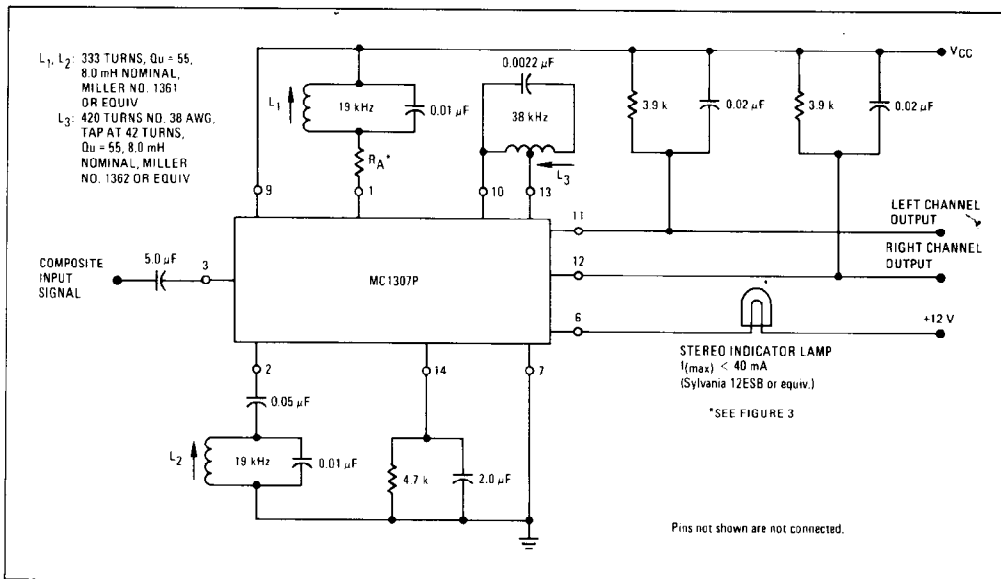


(top view)

PLASTIC PACKAGE  
CASE 646



FIGURE 1 – TYPICAL CIRCUIT CONFIGURATION



TYPICAL DC VOLTAGES (All measured using a VTVM with respect to Pin 7 (lamp on),  $R_A = 180$  ohms, see Figure 3)

Pin Numbers	1	2	3	4	5	6	7	8	9	10	11	12	13	14
$V_{CC} = 8.5$ Vdc	8.5	2.7	3.6	—	—	0.8	0	—	8.5	4.4	6.2	6.2	4.4	1.5
$V_{CC} = 12$ Vdc	12	2.9	3.9	—	—	0.9	0	—	12	4.7	9.7	9.7	4.7	1.7

See Packaging Information Section for outline dimensions.