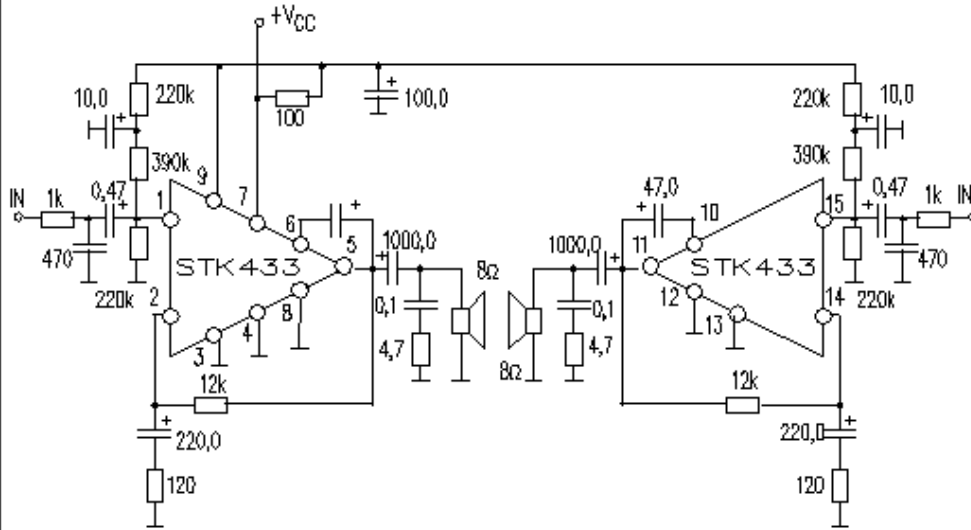


POWER AMPLIFIER
2x5W



- VCC MAX = 32V
- VCC TYP = 23V
- VCC RNG = -
- PO = 2x5W
- RL = 8 Ohm
- TDH = 0,5%
- ICCO TYP = 60mA
- ICCO MAX = 120mA
- IMAX = -
- RIN = 110k
- Gain = 40dB
- Noise = 0,8mV
- RTH-C = -
- Case H14

STK433-105
AMBIENT TEMPERATURE UP TO 105C